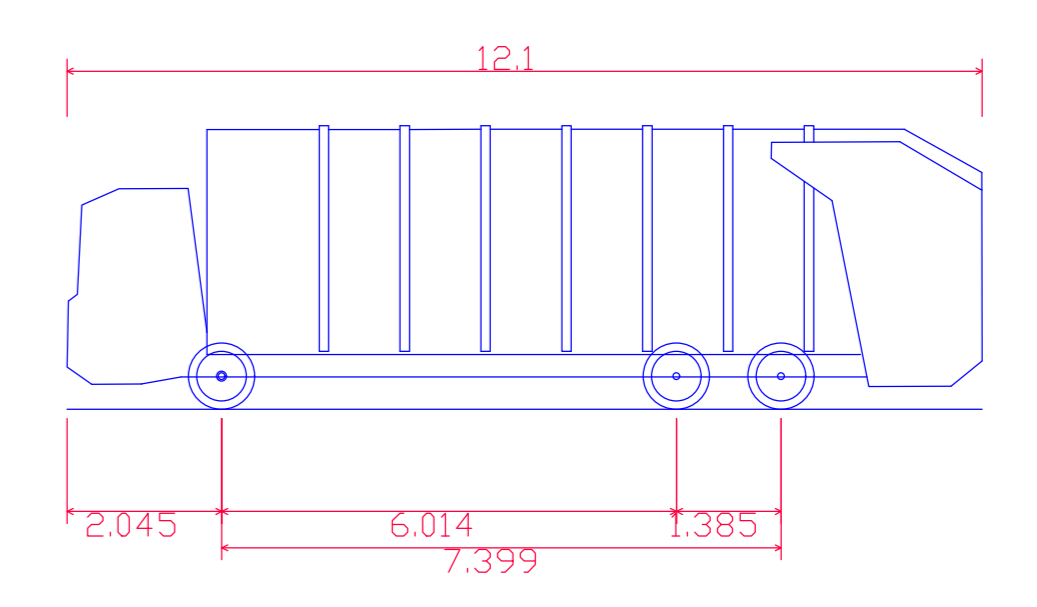
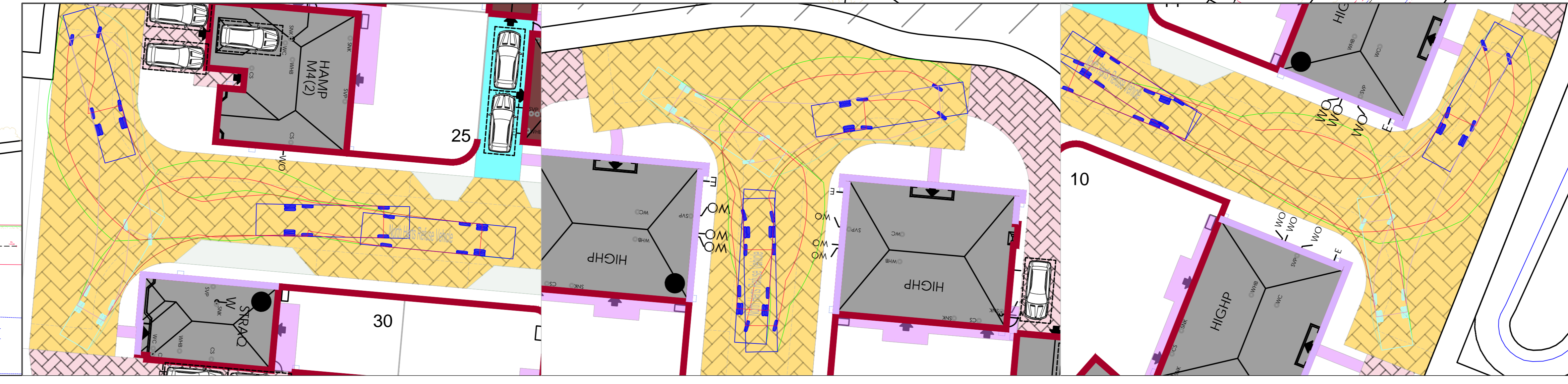
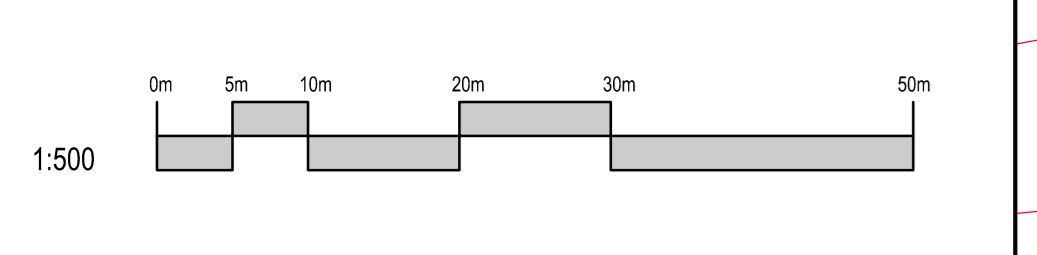


Tracking Insets 1:200



North Herts Refuse Vehicle

Overall Length	12.100m
Overall Width	2.0500m
Overall Body Height	6.0751m
Min Body Ground Clearance	0.304m
Track width	2.500m
Lock to lock time	4.00s
Kerb to Kerb Turning Radius	11.400m



Project	Date	Department	Inset
Development			
Barkway			
Location			
Royston Road			
Working Name			
Refuse Vehicle Tracking Plan			
1877-22-06-0009			
Drawing Number			
1877-22-06-0009			
Revision			
1:500			
Drawn By			
JW			
Date Issued			
July 2024			
Checked By			
DWR			

REDROW
Redrow Homes South Midlands
Redrow Homes, 8 Watlington Way, The Lakes, Northampton NN4 7PD
Tel: 0300 0000000
Web: www.redrow.co.uk